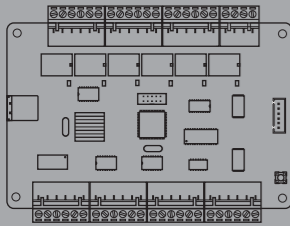




CCTV & Security Distributor

# Card Access Controller Series

## User Guide



### AC-220B

Read the manual before usage and keep for future reference. More detail information, please refer to "Card Access Controller Series User Manual"

<http://www.provisualusa.com>



## 1. Installation Procedure

- 1.1 Disconnect the power supply of all electronic components.
- 1.2 Ensure all the components are correctly connected.
- 1.3 Connect all the components according to "Access Controller Wiring Diagram" on the right of this page. Please ensure that the computer has been switched off and the power supply of the computer is disconnected before connecting the controller to the computer.
- 1.4 Reconfirm that all the components are correctly connected.
- 1.5 Switch on the power supply of both the computer and the controller and start commissioning. For commissioning procedures, please refer to Access Controller Installation Manual.

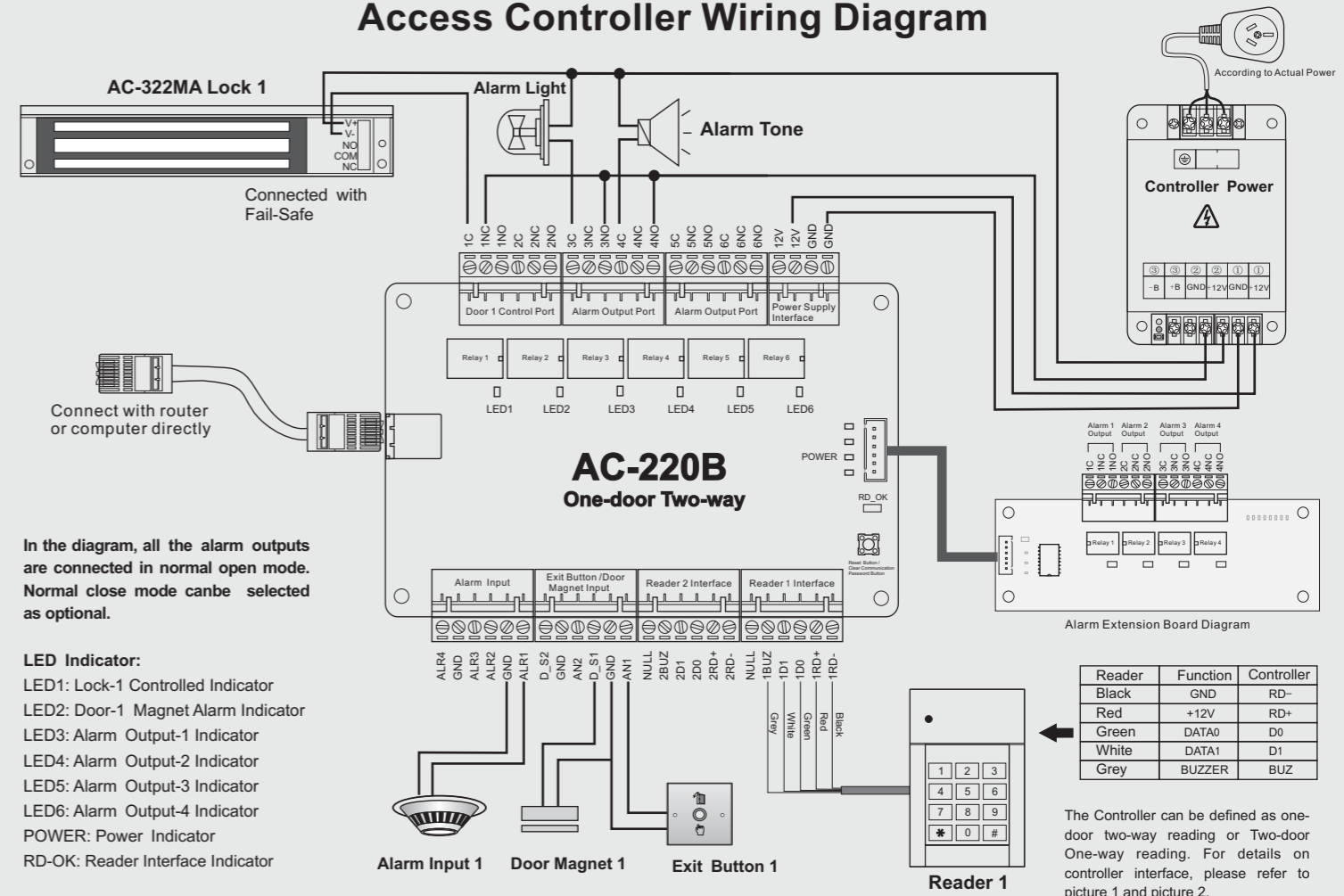
## 2. Important Notices

**Notice:** Card controller series work with Provisual Safesmart security management software only.

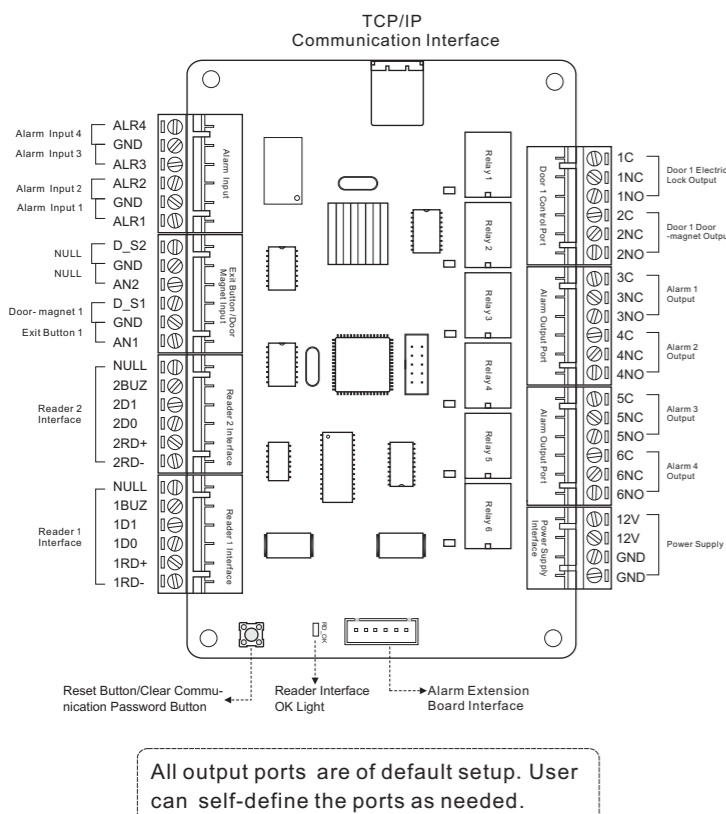
**!** Failure to follow the instructions below may lead to the malfunction of the system, property damage and even physical injury.

- 2.1 Connection and operation on any components or the controller with power on is strictly prohibited.
- 2.2 Connect the system according to the instructions described in this manual.
- 2.3 Please use the specified power supply.
- 2.4 Please do not touch components with bare hand since body static-electric may damage the components.
- 2.5 When installation is completed, please check: Is the connection correct; Is there any short circuit or open circuit; Is the back of controller completely separated from conductive materials.
- 2.6 Please do not dismantle or change the controller chip. Incorrect operation will damage the controller. In case of product failure or any technical problem, please contact with us.

## Access Controller Wiring Diagram

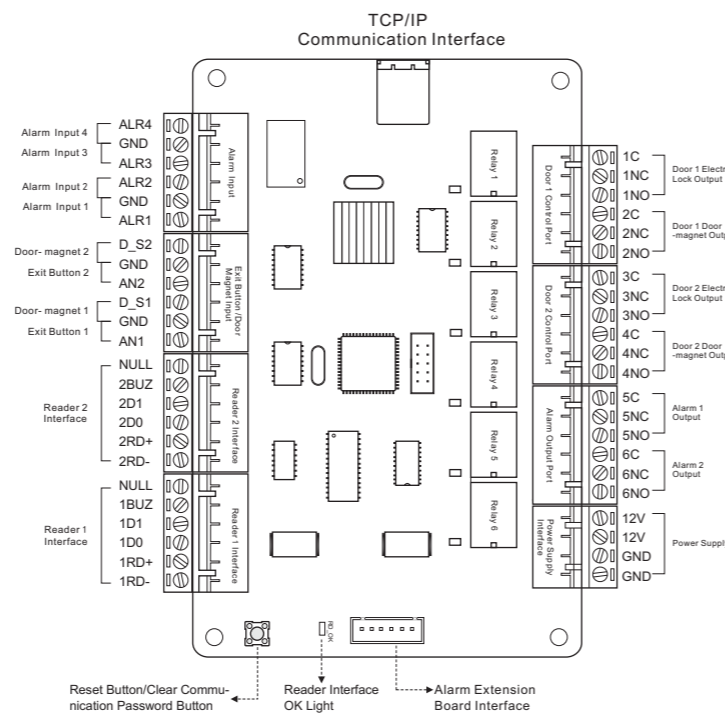


## 3. Controller Interfaces



AC-220B(One-door Two-way)

Picture 1

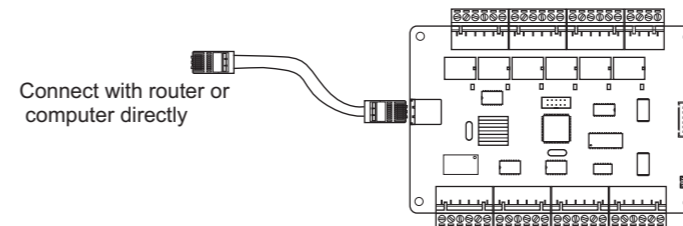


AC-220B(Two-door One-way)

Picture 2

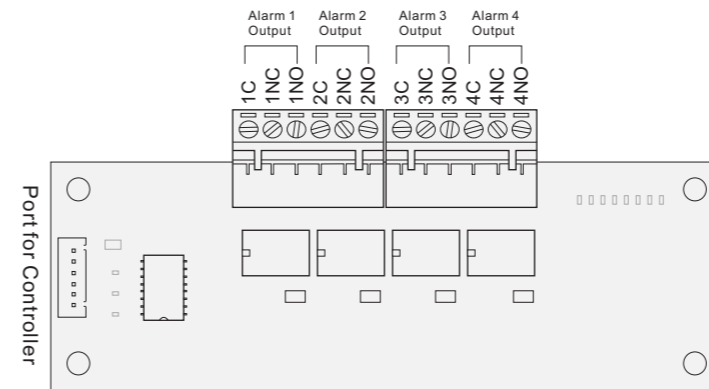
## 4. Communication Mode

Controller can connect with switch or computer by network wire via direct connection or cross connection.

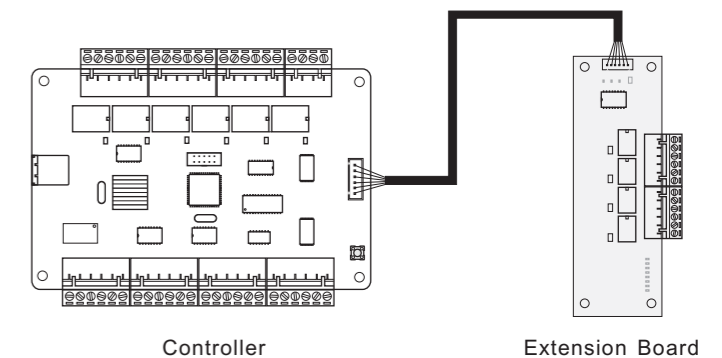


## 5. Connect with Alarm Extension Board

In case the outputs of M controller board are not enough, user can connect an alarm extension board to drive more alarm devices, such as alarm light, alarm bell and DVR etc.



Alarm Extension Board Diagram



Connect Alarm Extension Board with Controller

## 6. Clear Communication Password

Software and controller can not communicate when their passwords are different. In case password is unknown, press "Clear Communication Password" button to clear the password.

