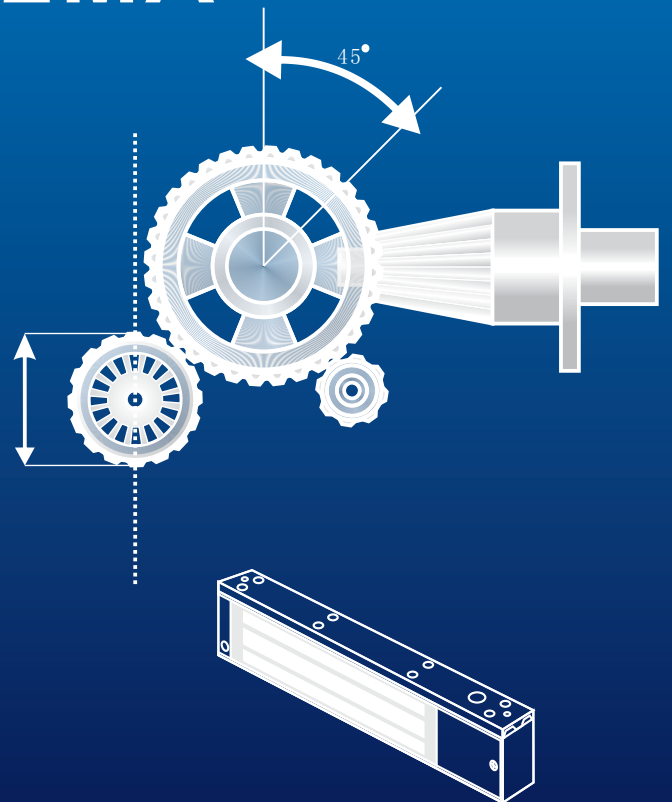




*CCTV & Security Distributor*

# Electric Door Lock Installation Manual

## AC-322MA



**ProVisual, Inc.**



## Product Manual

Product Manual



## Installation Manual

Installation Manual

Home & Business Security Solution

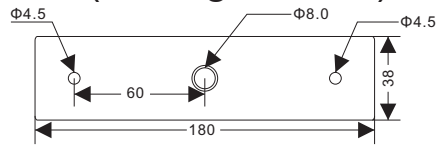
---



## AC-322MA One-door Electro-Magnetic Lock (280kg/600Lb)



Lock



Lock Core

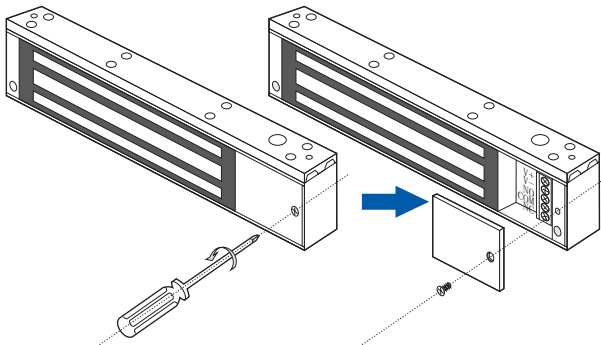
Unit: mm

### Product Parameters

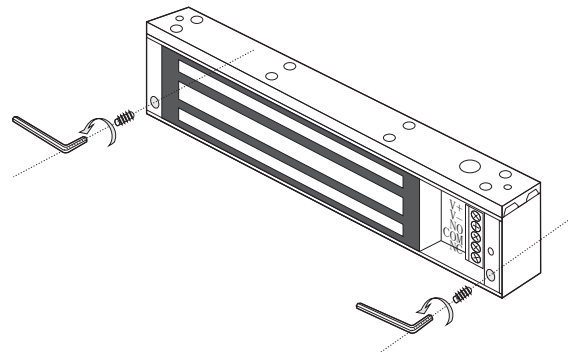


Lock Size: 250\*47\*25mm  
 Suction Plate Size: 180\*38\*11mm  
 Working Voltage\ Current: DC12V\500mA  
 Working Temperature: 10°C~50°C  
 Working Humidity: 10%~90%  
 Door Status Signal Output

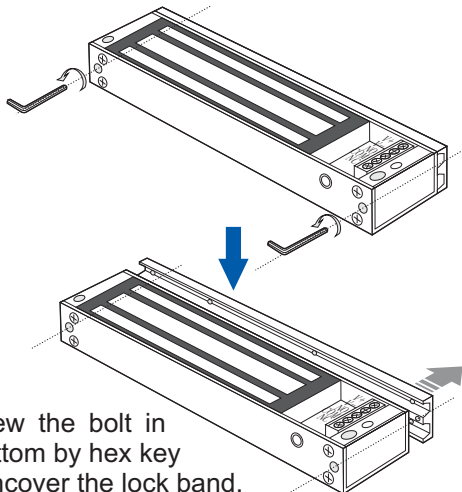
### Disassemble Procedure



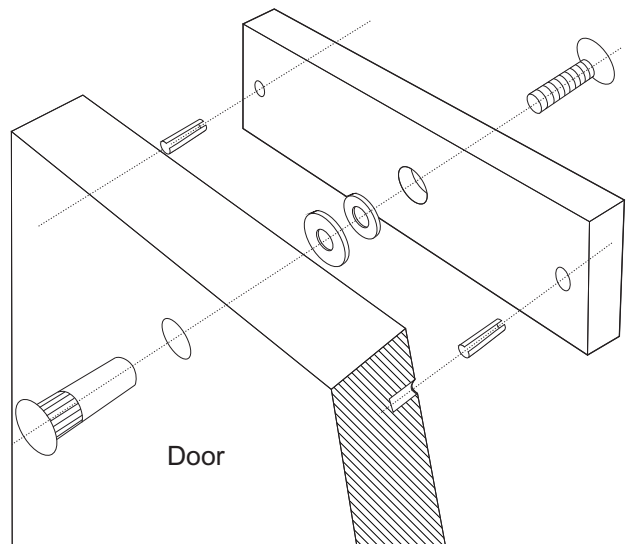
1. Unfasten the screw and open the cover



2. Unscrew the anti-disassemble bolts with hex key.



3. Unscrew the bolt in the bottom by hex key and uncover the lock band.



**No Bracket Installation Diagram (Opening Toward Outdoor)**

**Bracketless**

**ZL Bracket Installation Diagram (Opening Toward Inside)**

**AC-322ZL**

**Installation Diagram of U-shape Bracket and Electro-magnetic Lock for Glass Door**

**AC-322U**

**Installation Diagram of Z-shape Bracket for Narrow Frame Door**

**AC-322L**

## Connection Diagram

