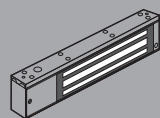




CCTV & Security Distributor

Electromagnetic Lock

User Manual



AC-322ZL
AC-322U

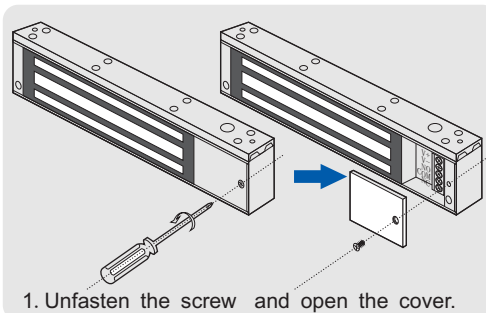
Read the manual before usage and keep for future reference.

<http://www.provisualusa.com>

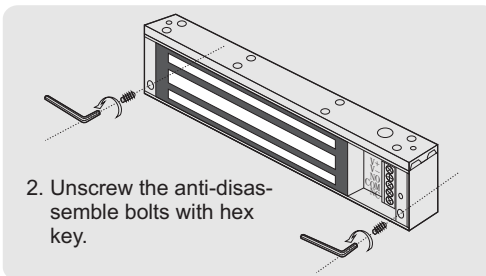


1. Disassemble Procedure

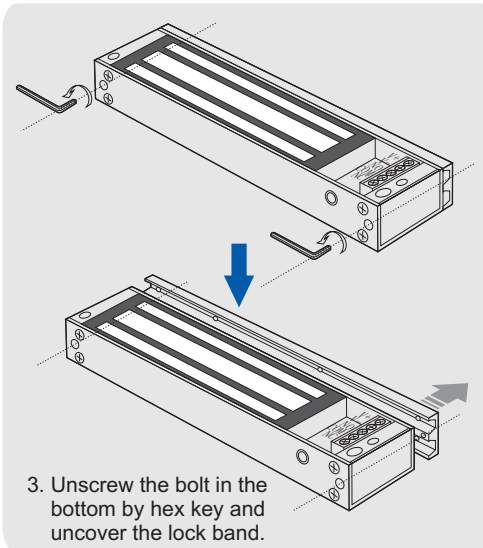
Disassemble the cover and band before installing the lock.



1. Unfasten the screw and open the cover.



2. Unscrew the anti-disassemble bolts with hex key.



3. Unscrew the bolt in the bottom by hex key and uncover the lock band.

2. Installation procedures

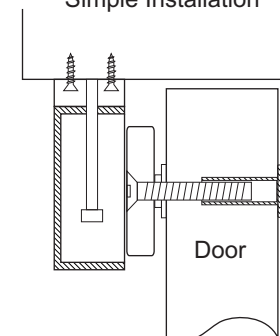
1. The magnetic lock should be tightly fixed on the door frame. The leading suction plate should be installed on the door. The accessories in the in-

stallation kit can keep the plate roll around its axis and thus prevent door ablation in case of defected installation.

2. Assisting installation diagram should be used with the door closed.
3. Fasten the screw of the lock.
4. The lock is equipped with anti-disassemble bolts, which ensures that the lock can be installed both indoor and outdoor.

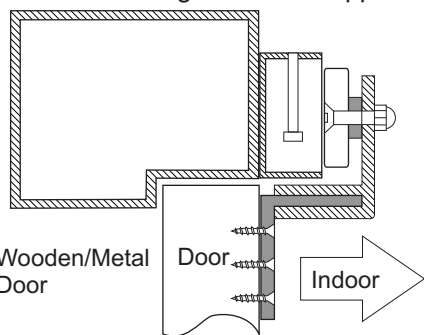
2.1 Installation of the Lock

Simple Installation



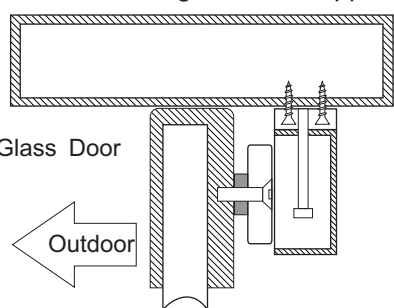
Wooden/Metal Door

Installation Diagram of ZL Supporter



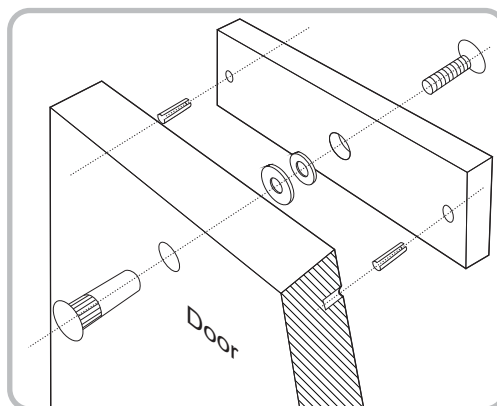
Wooden/Metal Door

Installation Diagram of U Supporter



Glass Door

2.2 Installation of Suction Plate



The screw of the suction plate should not be fastened too tightly in order to keep sufficient elasticity of the rubber washer, which in turn enables the self-adjustment of the suction plate.

3.1. Wiring of Lock

3.1 12V-DC input:

Working Current:500mA

Positive pole of 12V-DC connect to the terminal marked with "+"

Negative pole of 12V-DC connect to the terminal marked with "-"

Ensure the Voltage Selector is switched to 12V-DC

3.2 24V-DC input:

Note:

Please use the 12V-DC input if the lock has not special annotate. The overload voltage will damage the lock.

Working Current:250mA

Positive pole of 24V-DC connect to the terminal marked with "+"

Negative pole of 24V-DC connect to the terminal marked with "-"

Ensure the Voltage Selector is switched to 24V-DC

3.3 Wiring of Door-State Detector

The overload current of relay contact is 1amp. when the input is 24V-DC, overload is strictly prohibited.

Connect the normal-open circuit to the COM

and NC for getting switch-over signal. But connect the normal-close circuit to the COM and NO for getting switch-over signal.

Connection Diagram

