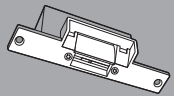




CCTV & Security Distributor

Electric Strike

User Manual



AC-355E

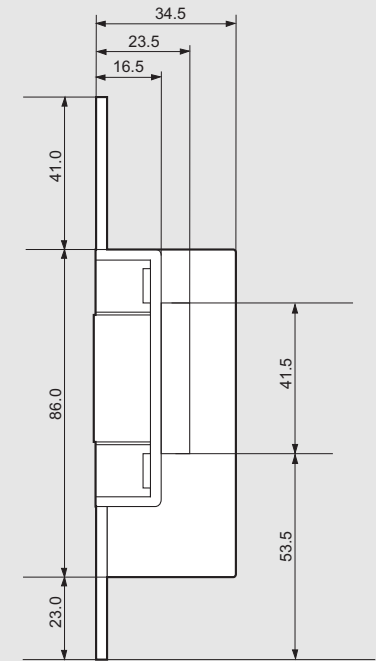
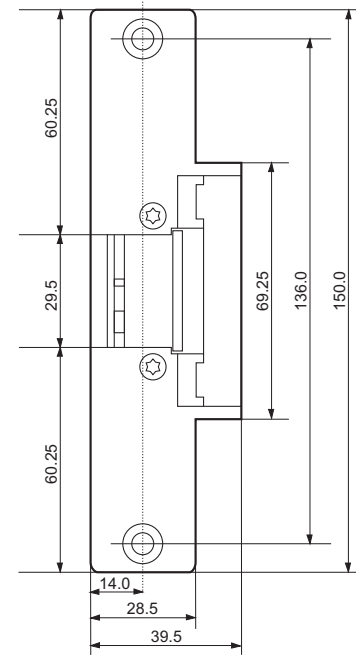
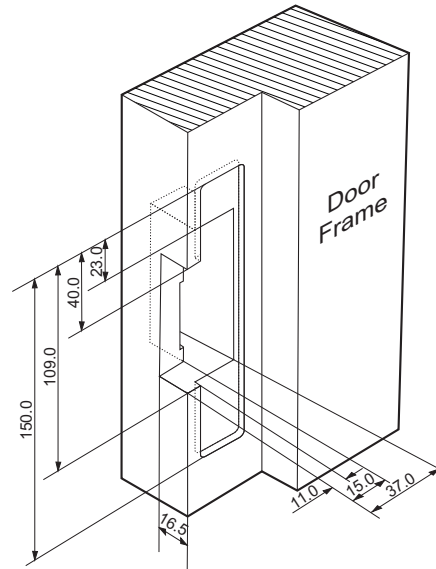
Read the manual before usage and keep for future reference.

<http://www.provisualusa.com>

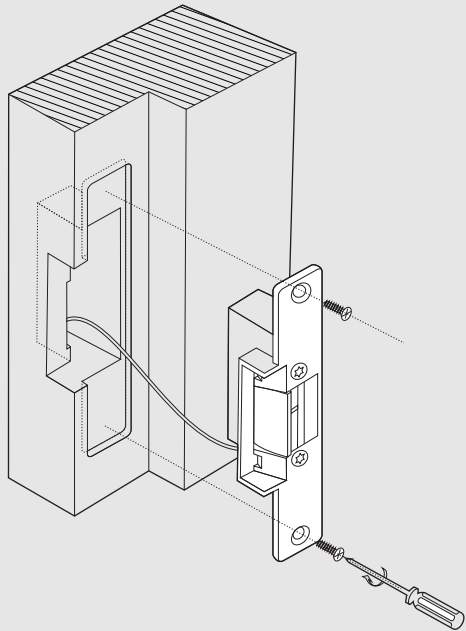


1. Installation Procedure

1.1 Open a hole on the door frame according to the following diagram.



1.2 Connect the power cable and screw the bolts.

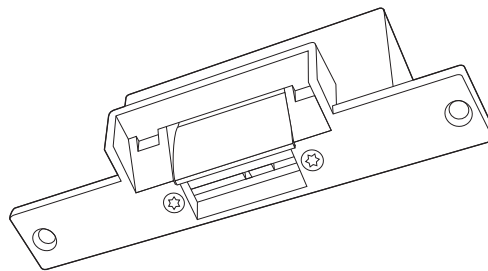


2. Wiring

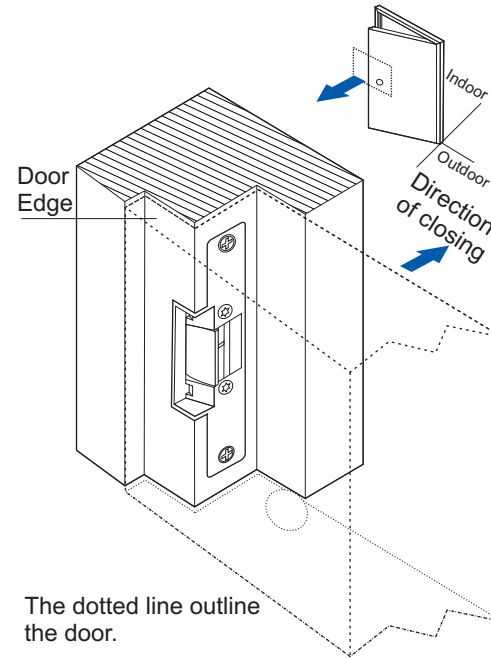
Red: 12V-DC Positive
Black: 12V-DC Negative

3. Product Features

Working Voltage: 12V-DC
Working Current: initiation 450mA, working 200mA
Size: L×W×H (mm): 450×39.5×28.
Color: silver grey
Mode: power on lock, power off open



4. Instructions for Usage



The dotted line outline the door.

- 4.1 Electric strike is suitable for door open toward inside. In case the strike is installed on door open toward outside, make sure the peripheral edge of the door is wide enough to cover the exposed part of the strike.
- 4.2 Select qualified power and cable to ensure the strength of the electric strike.
- 4.3 The strike is not equipped with door-close time delay. Use with controller if delay is needed.
- 4.4 The lock can be diversified in case the lock is compatible with the strike.
- 4.5 It may be difficult to open the door if the lock latch pushes too much inside the strike.