

Specification

Model	CB-2650IR
Pick Up Element	SONY 1/3"CCD
Effective Picture Elements (H*V)	NTSC: 768 (H) × 494(V)
Horizontal Resolution	540 TV Lines
S/N Ratio	More than 52dB
Clock Frequency (MHZ)	NTSC:19.0699
Scanning System	2:1 interlace
Minimum Illumination	0 Lux (with IR LED ON)
Synchronous System	Internal, Negative sync.
Auto Electronic Shutter	NTSC:1/60s~1/100,000s
Gamma Characteristic	0.45
IR Distance	100 Meters (with 8=6 Pcs / 25=6PcsLED)
IR Status	Under 10 Lux by CDS
IR Power On	CDS Auto Control
Video Output	1Vpp,75 Ω
Auto Gain Control	Auto
Power/Current	12VDC(±10%) 1A
Lens	25 mm
Water Resistance	IP65
Dimension (mm)	190(W)×120(H)×125(D)
Weight (g)	1150g
Storage Temperature	-30~ +60°C RH95% Max
Operating Temperature	-10~ +50°C RH95% Max

Packing List

No	Name	Model	Number
1.	Weatherproof Day & Night IR Camera	CB-2650IR	1
2.	User Guide	CB-2650IR Series	1

DISTRIBUTED BY:

CB-2650IR Series Color Camera

Weatherproof Day & Night IR Color Camera High Resolution 540 Lines



Notes: Before providing power for the camera, please read this User Guide in detail!

Do not attempt to disassemble the camera. If the camera can not work, please contact local franchiser or our company.

BRIEF OF PRODUCT

* Sensor (CCD)

Adopt SONY 1/3"CCD sensor.

* Auto Gain Control (AGC)

Built-in auto gain control (AGC) circuit. The color camera can get high definition picture in low Lux condition.

* Auto Electronic Shutter (AES)

Built-in auto electronic shutter function. The color camera's AES speed can reach **1/100,000s**.

* Gamma Characteristic

Camera Gamma characteristic is **0.45**.

* Scanning Mode

NTSC mode.

* Night-time Vision

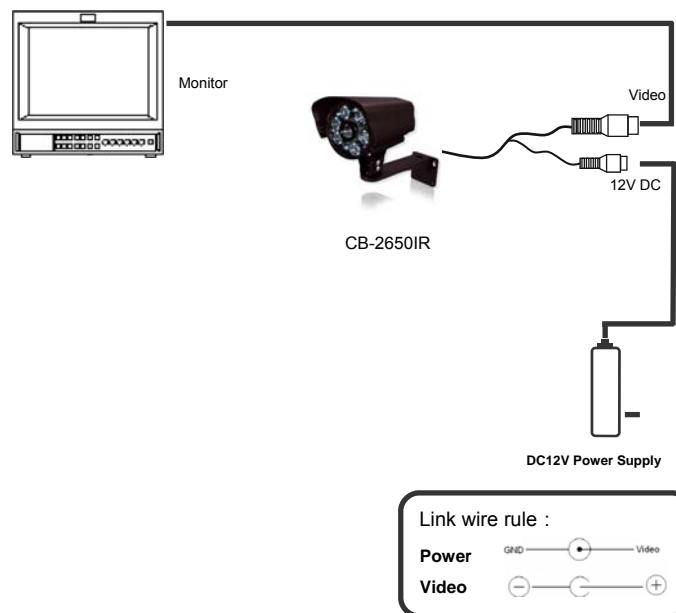
0 Lux with IR LED ON. Adopt Taiwan high quality IR LED, having very good night-vision effect.



Notes :

- The power supply must through safe attestation. Its output voltage, current, voltage polarity and operating temperature must match the camera's requirement.
- When using the camera in the thunderbolt condition, please note to mount Anti-thunder device or put off the power supply plug and cable.

CONNECTING



TROUBLE AND SOLUTION

1. No Picture after providing power

- . May be the power supply voltage abnormality, please check the power supply voltage and pole whether exactitude.
- . Please check all the connecting cable and monitors whether be connected correctly or not.

2. The picture level direction have flowing interference ripples

- . May be caused by the power supply AC ripples, it need filter the wave of the power supply.
- . Check the monitor and peripheral equipments used.

3. The picture background color changes continuously

- . The fluorescent lamp's electromagnetic field cause color roll. This is proper phenomenon of the cameras.
- . Reduce the fluorescent lamp numbers or increase the distance between the camera and the fluorescent lamps can improve it.
- . Use power supply external sync. camera can solve it.

4. The picture smear too mass

- . The power supply's voltage unstable.
- . Connecting cables not connect correctly or have high impedance.

INTRODUCTION

Congratulations on your purchase of this product. This User Guide suits CB-2650IR series product. We adopt the latest SONY technical of sensor and driver. The most attractive characteristics are water-resistant, and widely applicable to day & night, indoor & outdoor. In addition, it owns the characters of high definition and stability, strong anti-jamming, rich and real color. Fixing and using this model are convenient too. It is very good for you to apply to yours CCTV system.

Please read this instruction manual carefully to ensure proper use of the product.



To prevent fire or shock hazarded. Do not expose the unit into water too long time directly.



The symbol is intended to alert the user to the presence of important operating and maintenance (servicing) Instructions in the literature accompanying the appliance.



The symbol is intended to alert the user to the presence of uninsulated 'dangerous voltage' within the product's enclosure that may be of sufficient Magnitude to constitute a risk of electric shock to persons.



CAUTION:

RISK OF ELECTRIC. DO NOT OPEN



SHOCK

CAUTION: TO REDUCE THE RISK OF ELECTRIC
DO NOT REMOVE COVER OR BANCK NO USER
SERVICEABLE PARTS INSIDE. REFER SERVICING

CAUTION:

To prevent electric shocks and risk of fire hazards,
do NOT use other than specified power source.



Note:

- Please note the camera's operating temperature and its using environment requirement. Avoid using the camera at too high or too low temperatures. The operating temperature is -10°C-50°C. (Recommendatory operating temperature is -5°C-40°C.)
- Never make the camera face the sun or bright object. Otherwise, it will damage the CCD.
- Do not mount the camera near by the radiator or heater.